

#### The Thoughtful Design Innovator.

Do you remember the last time you opened a gift that made you say "Oh! How did you know? That's exactly what I wanted!" That's the kind of feeling that the designers at Electrolux seek to evoke in everyone who chooses or uses one of our products. We devote time, knowledge, and a great deal of thought to anticipating and creating the kind of appliances that our customers really need and want.

This kind of thoughtful care means innovating with insight. Not design for design's sake, but design for the user's sake. For us, thoughtful design means making appliances easier to use and tasks more enjoyable to perform, freeing our customers to experience that ultimate 21st century luxury, ease of mind. Our aim is to make this ease of mind more available to more people in more parts of their everyday lives, all over the world. So when we say we're thinking of you, you know we mean just that.

**Electrolux. Thinking of you.**

Share more of our thinking at [www.electrolux.com](http://www.electrolux.com)

*Thinking of you*  
**Electrolux**

**user manual**  
microwave oven  
EMM2007X  
**20 liter solo mechanical**  
EMM2017X  
**20 liter grill mechanical**





## Welcome to the world of Electrolux

Congratulations and thank you for choosing a first class product from Electrolux. Our appliances are designed to be easy to use and complimentary to your style. Please take a few minutes to study this manual so that you can take advantage of the benefits of your new appliance. To avoid the risks that are always present when you use an electrical appliance, it is important that the microwave oven is installed correctly and that you read the safety instructions carefully to avoid misuse and hazards. We promise that the oven will provide a superior user experience delivering ease-of-mind.

## Contents

<b>Before using your microwave oven</b>	<b>2</b>
<b>Important safety information</b>	<b>2</b>
<b>Installation</b>	<b>6</b>
<b>Operation</b>	<b>7</b>
<b>Care and cleaning</b>	<b>10</b>
<b>Troubleshooting</b>	<b>11</b>
<b>Technical data</b>	<b>11</b>
<b>Guarantee and service</b>	<b>12</b>



### environmental tip

#### Information on disposal for users

- Most of the packing materials are recyclable. Please dispose of those materials through your local recycling depot or by placing them in appropriate collection containers.
- If you wish to discard this product, please contact your local authorities and ask for the correct method of disposal.



## IMPORTANT SAFETY INFORMATION

**Before using your microwave oven**

In order to get the best from your new Electrolux microwave oven, the following instructions have been prepared. Please make sure you read them carefully. It is important that this user manual is retained with the appliance for future reference. Should the appliance be sold or transferred to another owner, or if you move house and leave the appliance, always ensure that the manual is supplied with the appliance or that the new owner can be acquainted with the functioning of the appliance and the relevant warnings. Please ensure you have read the whole user manual before using the appliance and that you follow the recommendations given.

**Read carefully and keep for future reference**

- The built-in safety interlock switches prevent the microwave oven from operating when the door is open. Do not tamper with them, or attempt to operate the oven with the door open as open door operation can result in exposure to microwave energy.
- It is particularly important that the oven door closes properly and that there is no damage to the: (1) door, (2) hinges and latches, or (3) door seals and sealing surface.
- Do not remove the outer case, door or control panel at any time. Doing so may cause exposure to extremely high voltage.
- Install or locate this oven only in accordance with the installation instructions found in the 'Installation' section.
- Do not store the oven outdoors.
- The temperature of accessible surfaces may be high when the oven is operating.
- Do not allow food spills or cleaner residue to accumulate on door sealing surfaces. See the 'Cleaning and care' section for cleaning instructions.
- Failure to maintain the oven in a clean condition could lead to deterioration of the surface that could adversely affect the life of the oven and possibly result in a hazardous situation.
- Use the oven for its intended use as described in this manual. Do not use corrosive chemicals in this oven. This type of oven is specifically designed to heat, cook, or defrost food. It is not designed for industrial or laboratory use neither for commercial use as this will invalidate the guarantee.
- Do not operate the oven empty. If food or water is not present to absorb the microwave energy, the magnetron tube can be damaged.
- Do not use this oven near water, in a wet basement or near a swimming pool.
- Do not attempt to dry clothing or newspapers in the

microwave oven. These items can ignite.

- Do not use the oven cavity for storage purposes. Do not leave paper products, cooking utensils, or food in the cavity when not in use.
- Keep the power cord away from heated surface and do not let power cord hang over edge of table or counter.
- If the power cord is damaged, it must be replaced by the manufacturer, its service agent or similarly qualified persons in order to avoid a hazard.
- Do not force the turntable to rotate by hand. This may cause malfunctioning.
- Arcing in the oven during microwave operation usually occurs from use of metallic utensils. Continuous arcing, however, can damage the unit. Stop the program and check the utensil.
- Care should be taken not to obstruct any air vents located on the top, rear, side and bottom of the oven.
- Only use utensils that are suitable for use in a microwave oven.

**warning**

If the door, hinges/latches or door seals are damaged, the microwave must not be operated until it has been repaired by an authorized service person.

**warning**

It is hazardous for anyone except factory trained service personnel to service or make adjustments to this oven. Contact your nearest authorized service agent if service should be required.

**warning**

If smoke is observed, unplug the oven and keep the door closed in order to stifle any flames. Never use water.

**warning**

Liquids and foods must not be heated in sealed containers since they are liable to explode.

**warning**

Only allow children to use the microwave oven without supervision when adequate instructions have been given so that the child is able to use the oven in a safe way and understands the hazards of improper use.

**warning**

Touching some of the internal components can cause serious personal injury or death. Do not disassemble this appliance.

**warning**

Improper use of the earthing can result in electric shock. Do not plug into an outlet until oven is properly installed and earthed.

**tips and information**

If the oven fails to operate:

- 1 Check to ensure that the oven is plugged in securely. If it is not, remove the plug from the outlet, wait 10 seconds, and plug it in again securely.
- 2 Check for a blown circuit fuse or a tripped main circuit breaker. If these seem to be operating correctly, test the outlet with another appliance.
- 3 Check to ensure that the control panel is programmed correctly and the timer is set.
- 4 Check to ensure that the door is securely closed engaging the door safety lock system. Otherwise, the microwave energy will not flow into the oven.

IF NONE OF THE ABOVE RECTIFIES THE SITUATION, CONTACT A QUALIFIED TECHNICIAN. DO NOT TRY TO ADJUST OR REPAIR THE OVEN YOURSELF.

**Power cord and plug**

A short power cord is provided to reduce the risks resulting from becoming entangled in or tripping over a longer cord. If a long cord set or extension cord is used:

- 1 The marked electrical rating of the cord set or extension cord should be at least or greater than the electrical rating of the oven.
- 2 The extension cord must be a earthing-type 3-wire cord.
- 3 The extension cord should be arranged so that it will not drape over the counter top or tabletop where it can be pulled on by children or tripped over unintentionally.

This oven must be earthed. In the event of an electrical short circuit, earthing reduces the risk of electric shock by providing an escape wire for the electric current. This oven is equipped with a power cord having a earthing wire with a earthing plug. The plug must be plugged into an outlet that is properly installed and earthed. Consult a qualified electrician or serviceman if the earthing instructions are not completely understood or if doubt exists as to

whether the oven is properly earthed.

**Suitability of utensils for microwave cooking**

- Utensils should be checked to ensure they are suitable for use in microwave ovens. Place the utensil in the oven along with a glass half full of water. Heat on maximum microwave power (800W) for one minute. If the utensil feels hot, you should not use it. If it is just slightly warm, you can use it for reheating but not for cooking. If the utensil is room temperature, it is suitable for microwave cooking.
- Always be sure containers are filled with food to absorb energy and thus avoid the possibility of overheating or ignition.
- Avoid using plastic utensils with foods that have high fat or sugar content since these foods reach high temperatures and could melt some plastics.
- Do not leave oven unattended, and look at it from time to time when heating or cooking food in plastic, paper or other combustible containers.
- Metal utensils and utensils with metallic trim should not be used in the microwave oven, unless specifically recommended for microwave use.
- Containers with restricted openings, such as bottles, should not be used for microwave cooking.
- Use caution when removing a lid or cover from a dish to avoid steam burns.

**Foil containers**

Shallow foil containers may safely be used to reheat foods in your microwave oven providing the following rules are observed:

- 1 Foil containers should not be more than 3 cm (1 1/4") deep.
- 2 Foil lids must not be used.
- 3 The foil containers must be at least two-thirds full of food. Empty containers must never be used.
- 4 Foil containers should be used singly in the microwave oven and should not be allowed to touch the sides. If your oven has a grilling rack, the foil container should be placed on an upturned oven-proof plate.
- 5 Foil containers should never be re-used in the microwave oven.
- 6 If the oven has been in use for 15 minutes or more, allow it to cool before using it again.
- 7 The container and turntable may become hot during use; take great care when removing them from the oven. It is advisable to use an oven cloth or glove when doing so.
- 8 Remember when using an aluminum foil container that the reheating or cooking times may be longer than you are used to; always ensure that the food is piping hot before serving.



IMPORTANT SAFETY INFORMATION

**Food safety**

- Do not heat food in a can in the microwave oven. Always remove the food to a suitable container.
- Deep fat frying should not be done in the microwave oven, because the fat temperature cannot be controlled, hazardous situations can result.
- Popcorn may be prepared in the microwave oven, but only in special packages or utensils designed specifically for this purpose. This cooking operation should never be unattended.
- Pierce foods with non-porous skins or membranes such as apples, potatoes, chicken liver and egg yolk to prevent steam build-up and bursting.



Liquids or other foods must not be heated in sealed containers since they are liable to explode.

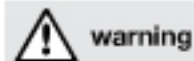


Microwave heating of beverages can result in delayed eruptive boiling; therefore care must be taken when handling the container.



When heating liquids, e.g. soups, sauces and beverages in your microwave oven, overheating the liquid beyond boiling point can occur without evidence of bubbling. This could result in a sudden boil over of the hot liquid. To prevent this possibility the following steps should be taken:

- 1 Avoid using straight-sided containers with narrow necks.
- 2 Do not overheat.
- 3 Stir the liquid before placing the container in the oven and again halfway through the heating time.
- 4 After heating, allow to stand in the oven for a short time, stirring again before carefully removing the container.



Some products such as whole eggs and sealed containers – for example, closed glass jars – may explode and should not be heated in this oven. Occasionally, poached eggs may explode during cooking. Always pierce the yolk, then cover and allow the standing time of one minute before removing cover.

**i tips and information**

It is quite normal for steam to be emitted around the door, or for misting to occur on the door, or even for water droplets to appear below the door during the cooking cycle. This is merely condensation from the heat of the food and does not affect the safety of your oven. The door is not intended to seal the oven cavity completely.



Do not use this oven for commercial purposes. This oven is made for domestic use only.

**Safety instructions when cooking with grill and combination modes**

- 1 The glass oven door window may break if water is spilled on it during grill cooking.
- 2 Be sure to use an oven glove when loading and unloading the oven. Containers get very hot in the oven, so be careful not to burn yourself. The turntable and grilling rack also get very hot so be sure to use an oven glove when handling them.
- 3 Do not touch the inner or outer oven door window with metal components when loading or unloading the oven. The inside of the door and oven get very hot so take care when attending food in the oven.
- 4 Do not put the turntable or containers in cold water or try to cool them quickly after use.
- 5 Do not place items on top of the cabinet. The top of the cabinet gets very hot, so anything placed on it may be damaged by the heat.
- 6 Preheat your oven only when using the grill, never when using microwave or combination modes.



When the appliance is used in combination mode, children should only use the oven under adult supervision due to the temperature generated.

**Oven utensils guide**

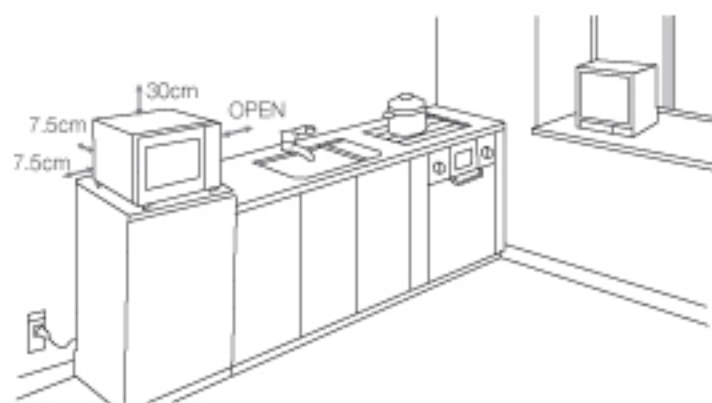
A variety of utensils and materials may be used for cooking in your microwave oven. For your safety and to prevent damaging utensils and your oven, choose appropriate utensils and materials for each cooking method.

The list below is a general guide.

Utensils	Description	Mode of operation			
		Microwave	Grill		
Aluminum foil	Shielding only. Small smooth pieces can be used to cover thin parts of meat or poultry to prevent overcooking. Arcing can occur if foil is too close to oven walls. The foil should be at least 1 inch (2.5cm) away from oven walls.	Yes	Yes		
Browning dish	Follow manufacturer's instructions. The bottom of browning dish must be at least 3/16 inch (5mm) above the turntable. Incorrect usage may cause the turntable to break.	Yes	Yes		
Ceramic without metal decoration	Use microwave-safe containers only. Follow manufacturer's instructions. Do not use cracked or chipped dishes. Although microwave energy will not heat most ceramic items, they can become hot as heat transfers from the food to the container. The use of oven gloves to remove dishes is recommended.	Yes	Yes		
Glass ware without metal decoration	Make sure the glass is heat resistant and does not have cracks or chips. Use only to heat food until just warm. Although microwave energy will not heat most glass items, they can become hot as heat transfers from the food to the container. The use of oven gloves to remove dishes is recommended.	Yes	Yes		
Glass ware with metal decoration		No	No		
Leaded crystal glass		No	No		
Paper plates and cups	Use for short-term cooking/ warming only. Do not leave oven unattended while cooking.	Yes	No		
Paper towels	Use to cover food for reheating and absorbing fat. Do not leave oven unattended while cooking.	Yes	No		
Waxed paper	Use as a cover to prevent splattering and retain moisture.	Yes	No		
Plastic	Microwave-safe only. Follow the manufacturer's instructions. Should be labeled "Microwave safe". Some plastic containers soften, as the food inside gets hot. "Boiling bags" and tightly closed plastic bags should be slit, pierced or vented as directed by package.	Yes	No		
Plastic wrap	Microwave-safe only. Use to cover food during cooking to retain moisture. Do not allow plastic wrap to touch food.	Yes	No		
Metal baking pan	May cause arcing.	No	Yes		
Wood		No	No		
Grill rack		No	Yes		
Turntable		Yes	Yes		
Turntable support		Yes	Yes		

## INSTALLATION

- Remove all packing material and any promotion material from the oven.
- Examine the oven for any damage such as dents or broken door. Do not install if the oven is damaged. Call the service center.
- Remove the protective film on the oven cabinet surface. Do not remove the light brown Mica cover that is attached to the oven cavity to protect the magnetron.
- Do not leave the packing material so that small children can play with it. This can be hazardous.
- Select a flat, level surface that provides enough open space for the intake and outlet vents and that is strong enough to bear the weight of the oven. A minimum clearance of 3.0 inches (7.5cm) is required between the oven and any adjacent walls. Leave a minimum clearance of 12 inches (30cm) above the oven. Blocking the intake or outlet vents can damage the oven. If air vents are blocked during operation, the oven may overheat, and this may lead to malfunctioning. Hot air escapes from the vents, so be sure not to obstruct it or let curtains come between the oven and the rear wall.



- The oven should be placed in a stable position to avoid the possibility of causing vibration or noise.
- Do not remove the legs from the bottom of the oven.
- This oven should only be installed freestanding; not built-in or in a cabinet.
- Keep the oven away from heat and water. Exposure to heat and water can lower the efficiency and lead to malfunctioning, so be sure to install the oven away from heat and water sources.
- Place the oven as far away from radios and TV as possible. Operation of the oven may cause interference to your radio or TV reception.

- When there is interference, it may be reduced or eliminated by taking the following measures:
  - + Clean door and sealing surface of the oven.
  - + Reorient the receiving antenna of radio or television.
  - + Relocate the oven with respect to the receiver.
  - + Move the oven away from the receiver.
  - + Plug the oven into a different outlet so that oven and receiver are on different branch circuits.
- Be sure the voltage and the frequency where you connect the oven is the same as on the oven. If the oven is connected to the socket via an extension cord, make sure the cord is earthed.

**warning**

If installed near or over a heat source, the oven could be damaged.

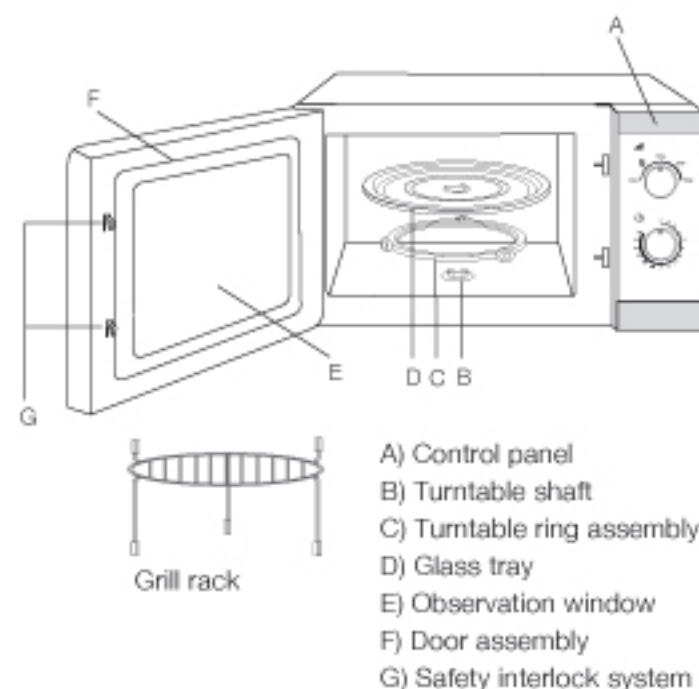
**warning**

This oven must not be used on a non-earth protected power supply. Contact an electrician if you are uncertain regarding electrical connection of the oven or provision of earth protection of the supply.

**warning**

If the power cord is damaged, it must be replaced by the manufacturer, its service agent or similarly qualified persons in order to avoid a hazard.

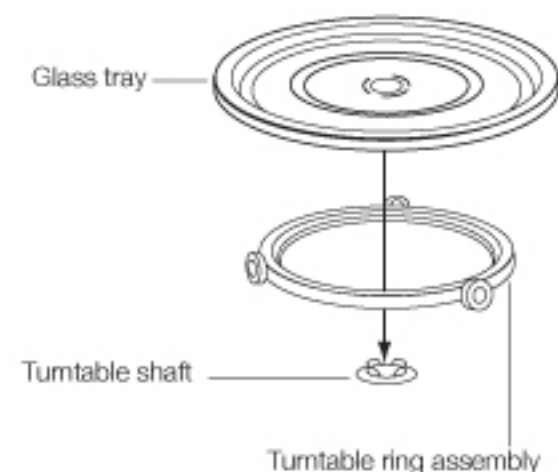
## OPERATION

**Turntable installation**

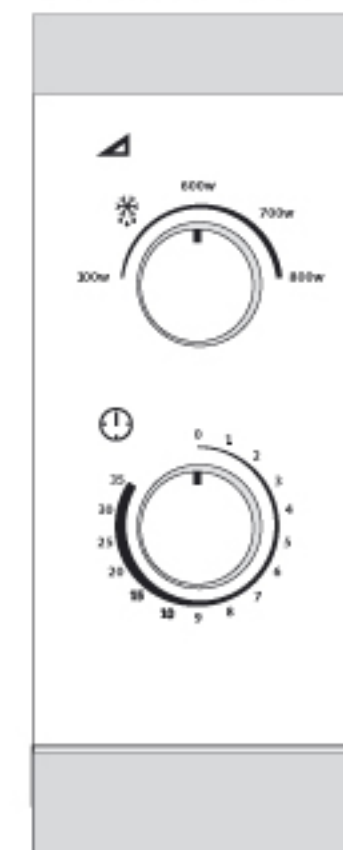
1. Place the turntable ring assembly on the cavity bottom.
2. Place the glass tray on top of the turntable support.

**tips and information**

- Do not place the glass tray upside down.
- Both glass tray and turntable ring assembly must always be used during cooking.
- All food and containers of food are always placed on the glass tray for cooking.
- If the glass tray or turntable ring assembly cracks or breaks, contact nearest authorized service center.

**Control panel**

Solo model (EMM2007X)

**Cooking**

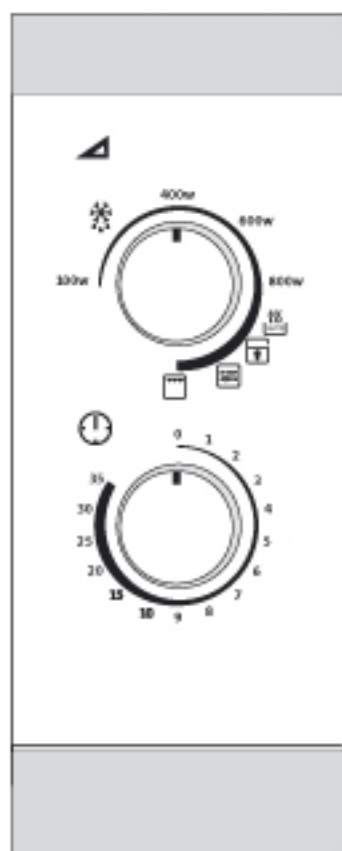
1. Open the door and place the food on the turntable. Close the door.
2. Set the power selector to the desired level (see microwave power setting guide).
3. Set the timer to the desired cooking time.
4. The oven automatically starts cooking.
5. When the cooking time has ended, the buzzer will sound and the oven will stop.

**Defrosting**

1. Open the door and place the food on the turntable. Close the door.
2. Set the power selector to the defrost level (see microwave power setting guide).
3. Set the timer to the desired defrosting time.
4. The oven automatically starts defrosting.
5. When the defrosting time has ended, the buzzer will sound and the oven will stop.



Grill model (EMM2017X)



### Cooking

- 1 Open the door and place the food on the turntable. Close the door.
- 2 Set the power selector to the desired level (see microwave power setting guide).
- 3 Set the timer to the desired cooking time.
- 4 The oven automatically starts cooking.
- 5 When the cooking time has ended, the buzzer will sound and the oven will stop.

### Grilling and combination cooking

This oven can combine microwave oven power with grilling.

- 1 Open the door and place the food on the turntable. Close the door.
- 2 Set the power selector to the desired combination or grilling level (see microwave power setting guide).
- 3 Set the timer to the desired cooking/grilling time.
- 4 The oven automatically starts cooking/grilling.
- 5 When the cooking/grilling time has ended, the buzzer will sound and the oven will stop.

### Defrosting

- 1 Open the door and place the food on the turntable. Close the door.
- 2 Set the power selector to the defrost level (see microwave power setting guide).
- 3 Set the timer to the desired defrosting time.
- 4 The oven automatically starts defrosting.
- 5 When the defrosting time has ended, the buzzer will sound and the oven will stop.

#### **i** tips and information

- It is better to underestimate defrosting time if you are unsure. Food will continue to defrost during the standing time.
- Separate food as soon as possible.
- Turn large items, e.g. joints, halfway through the defrosting time.
- Remove any thawed food as soon as possible.
- Remove or open any packaging before defrosting.
- Place food in a larger container than that which it was frozen in, this will allow for easy stirring.
- Begin thawing poultry, breast side down and turn over halfway through defrosting time. Delicate areas such as wing tips can be shielded with small pieces of smooth foil.
- Standing time is very important, particularly for large, dense foods which cannot be stirred to ensure that the centre is completely defrosted before cooking.

#### **i** tips and information

After use, be sure to return the timer to 0, or the oven will continue to operate.

#### **i** tips and information

When reheating chilled food, the food manufacturer's cooking time should be used as a guide only. If the food is not piping hot when stated cooking time has expired, return it to the oven and continue to cook until it is. Always stir food regularly. Standing time is very important, it is part of the cooking process and also allows an even temperature throughout the food.

#### **i** tips and information

Function/power	Output	Application
Low	100W	Soften ice cream
Defrost	200W	Soup, stew, soften butter or defrost
Medium	400W	Stew, fish
Medium High	600W	Rice, fish, chicken, ground meat
High	800W	Reheat, milk, boil water, vegetables, beverage

Function/power	Output	Application
Combination1	80% grill 20% microwave	Sausage, lamb, kabobs, seafood, steak
Combination2	70% grill 30% microwave	Chicken pieces, chicken breasts, pork chops
Combination3	60% grill 40% microwave	Whole chicken
Grill	100% grill	Bake bread

#### **!** warning

When removing food from the oven, please make sure the timer knob is set to 0 (zero). Failure to do so, and operating the microwave oven without food in it, can result in overheating and damage to the magnetron.

### To stop the oven

There are two way to stop the oven whilst it is in use.

- 1 Turn the time to 0
- 2 Open the door  
You may restart the oven by closing the door

#### **i** tips and information

- Preferably use round or oval casseroles with a lid when cooking in your microwave oven.
- Cover the food when cooking. Use a glass lid, a plate or grease proof paper.
- Pastry, bread and the like can be defrosted directly in a bread basket or on a paper towel.
- If frozen food is heated in its packaging, the packaging should be opened. Packaging containing metal or metal decoration must not be used unless specifically recommended for use in the microwave oven. Remove metal clips and wire ties.
- Put large, thick pieces close to the edge of the casserole and try to cut the food into even sized pieces. Always place the food in the centre of the oven.
- The food will be evenly cooked if you stir or turn it a few times during cooking.
- Always set a shorter cooking time than indicated in your recipe to avoid over cooking.
- Use little or no water for vegetables.
- Use less salt and spices than for 'normal' cooking.
- Allow a few minutes standing time after the oven has switched off to ensure complete and even cooking results.
- Always ensure food is piping hot throughout before serving.
- Use pot holders or gloves when taking dishes and food out from the oven.

## CARE AND CLEANING

**i tips and information****Softening Honey**

If you have a jar of honey which has crystallized, remove lid and place the jar in the oven, microwave on medium power for 2 minutes.

**Melting Chocolate**

Break 100g of chocolate into squares, place in a bowl and heat on high power for 1-2 minutes and stir well.

**Softening or Melting Butter**

Melting takes a few seconds on high power. Softening is best done on low power.

**Freshen or Warm Bread**

Use medium power for few seconds.

**Peeling Garlic easily**

Heat 3 or 4 cloves of garlic on high power for 15 seconds. Squeeze at one end until the clove pops out.

**Fruit Juice**

Citrus fruits will yield more juice if they are heated on high power for 15 seconds before squeezing.

**Care and cleaning**

The oven must always be clean. Residue of food from spillovers or splatters will attract microwave energy causing it to burn on. This could reduce the efficiency of the oven and may cause bad odors. Do not attempt to tamper with or make any adjustments or repairs to any part of the oven. Repairs should only be done by a qualified service technician.

**Cleaning the accessories**

Clean accessories with mild detergent after removing them from the cavity. The turntable support should be carefully handled.

**Cleaning the interior**

Always keep the inside of the oven clean. Wipe up spillovers and food splatters immediately. Deposits that are allowed to remain on the oven walls, door seal and door surface will absorb microwave energy, reduce the efficiency of the oven, and possibly damage the oven interior. Use mild, liquid detergent, warm water and a soft, clean cloth to remove deposits.

**Cleaning the grill element**

The element may be stained with splattered fat or oil while the oven is in use. Wait until the cavity cools down and wipe off the splattered oil before next using of the oven. Stains on the grill may cause unpleasant odors and smoke.

**Cleaning the exterior**

Open the oven door when cleaning the control panel. This will prevent the oven from being turned on accidentally. You should clean outside surfaces of the oven with mild liquid detergent and water followed by a wiping with clear water to remove any excess detergent. Dry with a soft cloth. Spray-on window cleaners or all purpose spray-on kitchen cleaners can also be used. Never use abrasive cleaners, scouring pads or harsh chemicals on outside surfaces of your oven. To prevent damage to the working parts, do not allow water to seep into ventilation openings.

**warning**

Never use abrasive cleaners, commercial oven cleaners or steel wool pads on any part of the oven.

**i tips and information**

To loosen difficult deposits, boil a cup of water in the oven for 2 or 3 minutes.

**warning**

Never use a knife or any utensil to remove deposits from the oven surfaces.

**i tips and information**

To remove odors from the oven interior, boil a cup of water plus 2 tablespoons of lemon juice for 5 minutes.

**warning**

The turntable motor is sealed. Nevertheless, be careful to avoid water penetrating under the turntable spindle when the bottom of the oven is being cleaned.

**warning**

Be sure the oven is disconnected from the electricity supply before cleaning.

## TROUBLESHOOTING

Normal	
Microwave oven interfering TV reception	Radio and TV reception may be interfered when oven is operating. It is similar to the interference of small electrical appliances, like mixer, vacuum cleaner, and electric fan. It is normal
Dim oven light	In low power microwave cooking, oven light may become dim. It is normal
Steam accumulating on door, hot air out of vents	In cooking, steam may come out of food. Most will get out from vents. But some may accumulate on cool place like oven door. It is normal
Oven started accidentally with no food in	It is forbidden to run the unit without any food inside. It is very dangerous

Trouble	Possible cause	Remedy
Oven can not be started	(1) Power cord not plugged in tightly	Unplug. Then plug again after 10 seconds
	(2) Fuse blowing or circuit breaker works	Replace fuse or circuit breaker (repaired by professional personnel of our company)
	(3) Trouble with outlet	Test outlet with other electrical appliance
Oven does not heat	(4) Door not closed well	Close door well
Glass turntable makes noise when oven operates	(5) Dirty roller rest and oven bottom	Refer to "Care and cleaning" to clean dirty parts

## TECHNICAL DATA

Model	EMM2007X	EMM2017X
Rated Voltage	refer to rating label on the oven	refer to rating label on the oven
Rated Input Power (Microwave)	1250W	1250W
Rated Output Power (Microwave)	800W	800W
Rated Input Power (Grill)	1000W	1000W
Oven Capacity	20L	20L
Turntable Diameter	ø245mm	ø245mm
External Dimensions (LxWxH)	461x373x280mm	461x373x280mm
Net Weight	Approx. 12.6kg	Approx. 12.6kg



## GUARANTEE AND SERVICE

Before Calling a Service Technician please check carefully the operating instructions, service booklet and the warranty terms and conditions.

### THAILAND

Tel: +66 2725 9000  
(24 hours/7 days a week)  
Add: Electrolux Building, 14th Floor  
1910 New Petchburi Road, Bangkok  
HuayKwang, Bangkok 10310

### PHILIPPINES

Tel: +63 2829 0801  
Domestic Toll-Free: 1800-1-888-0801  
(24 hours/7 days a week)  
Add: 7th Floor, King's Court Building 1  
2129 Chino Roces Avenue, Makati City

### MALAYSIA

Tel: 1300-88-11-22  
(Mon to Fri: 8.30am-5.30pm, Sat: 8.30am-12.30pm)  
Add: Jaya Semangat, Seksyen 13  
46100 Petaling Jaya, Selangor

### SINGAPORE

Tel: +65 6513 3688  
Fax: +65 6476 0273  
(Mon to Fri: 9am-5pm, Sat: 9am-12pm)  
Add: No. 2 Leng Kee Road  
#06-08 Thye Hong Center, Singapore 159086  
e-mail: customer-care.sin@electrolux.com.sg

### VIETNAM

Tel: 1800-5-888-99  
(Mon to Sat: 8am-12pm, Sun: 8am-12pm)  
Add: Sai Gon Trade Center Building, 9th Floor  
Suite 911, 37 Ton Duc Thang Street  
District 1, Ho Chi Minh City

### INDONESIA

Tel: +62 21 633 1350/+62 21 632 8025  
(Mon to Fri: 8.30am-4.30pm, Sat: 8.30am-2.00pm)  
Add: Jalan KH Hasyim Ashari No 17, Jakarta 10130